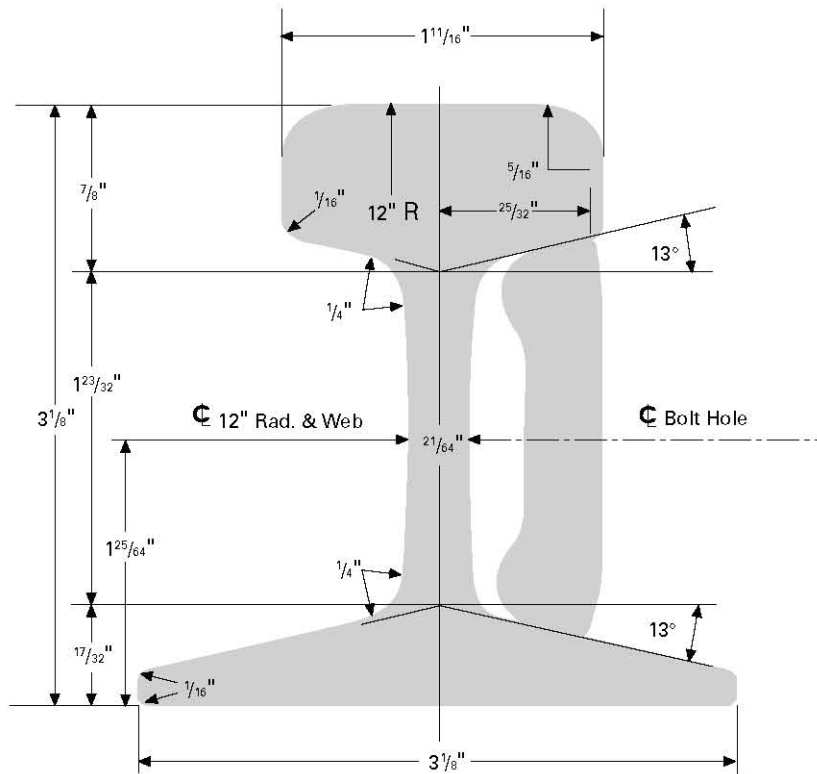




Not to Scale



Specifications		Hold-Down Devices			
Nominal Weight	30 lbs/yd	Standard	Single Double		
Standard Lengths	40'0" - 30'0"	Hook Bolt	5/8" -		
Standard Drilling	2" x 4"	Clip Number	114 -		
Joint Bar Length	16 1/8"	Clamp & Filler	F1 F2		
Joint Bar Weight	7.0 lbs/pr	Welded Stud	S1 S2		
With Hardware	8.5 lbs/pr	Heavy Duty	Single Double		
Bolt Diameter	5/8"	Welded Holder	- -		
		Welded U-Bar	- -		
		Rubber Nose	Single Double		
		Welded Clip	91 -		
		Bolted Clip	31-71 -		
Physical Properties - Manufacturers		Chemical Properties - Industry Range		Brinell Hardness Number - Manufacturers Range	
Sectional Area	3.00	Carbon	.40 to .65	Standard Carbon	176
Inches ²		Manganese	.60 to 1.00	Minimum	
Moment of Inertia	4.10	Phosphorus	.045 max.	Standard Carbon	230
Inches ⁴		Sulfur	.05 max.	Maximum	
Neutral Axis, Y	1.52	Silicon	.40 max.	High Strength	N/A
Inches				Minimum	
Section Modulus Head	2.55			High Strength	N/A
Inches ³				Maximum	
Section Modulus Base	2.70				
Inches ³					